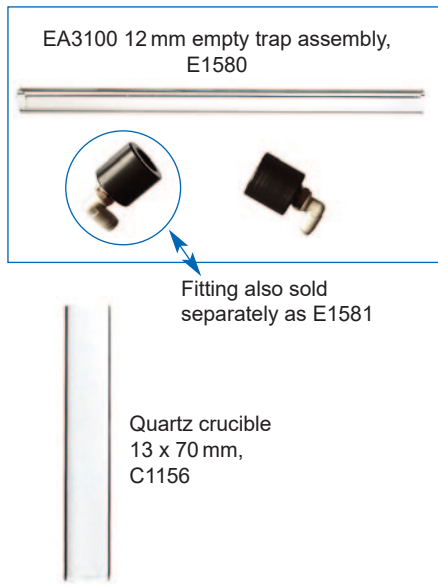


Quartz, glassware & furnace tubes

Part No	Description	Pack	EV part	EA3100	EA3000
C1074	Reaction tube	2	C10-059	✓	✓
C1155	Modified quartz reactor 18/6	1	C10-071	✓	✓
C1153	Quartz tube 25/6 mm	1	C09-016	✓	
C1129	Quartz liner for 18 mm reactor (200 mm)	2	C10-180	✓	
C1154	EA3100 12 mm tube for trap	1	C09-015	✓	
C1156	Quartz crucible 13 x 70 mm	1	C10-186	✓	
E1580	EA3100 12 mm empty trap assembly	1	P01-108	✓	
E1581	Fitting for 12 mm trap	1	P01-107	✓	
C1126	Quartz empty reactor 20/6	1	C10-064		✓
C1125	Quartz insert for 18 mm reactor (220 mm)	2	C10-061		✓
C1128	Quartz liner for 18 mm reactor (235 mm)	2	C10-179		✓
C1124	Quartz liner for 18 mm reactor (245 mm)	2	C10-062		✓
C1128	Quartz liner for 18 mm reactor (235 mm)	2	C10-179		✓
C1124	Quartz liner for 18 mm reactor (245 mm)	2	C10-062		✓
C1199	Reaction tube heavy wall transparent silica	2	C10-060		✓
C1148	Trap EuroVector 10 ml	1	C10-097		✓

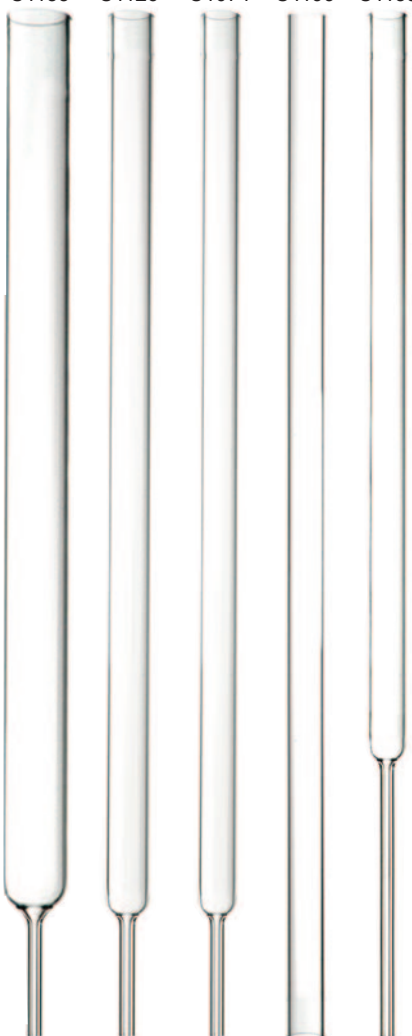


The use of OEM part numbers is intended for convenience only, and does not imply that the products are of OEM origin. All Elemental Microanalysis products are guaranteed to be of high quality and are deemed to be suitable alternatives in the stated instruments. All OEM trademarks acknowledged.

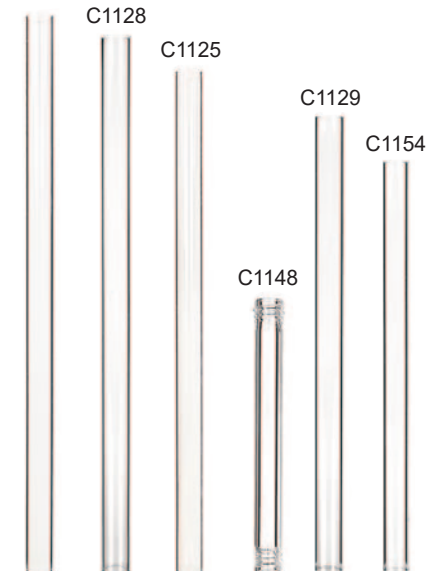
Prepacked tubes

Part No	Description	Pack	EV part	EA3100	EA3000
X1078	Prepacked oxygen pyrolysis tube	1	C10-185	✓	✓
X1267V	Prepacked reactor for CHN	1	C10-169	✓	✓
X1077V	Prepacked tube for CHNS	1	C10-161	✓	✓
X1250V	Prepacked tube CHN 18/6 single tube system	1	C10-081, E13041		✓
X1074V	Prepacked tube CHNS/NCS/S	1	C10-084, E13040		✓
X1185	Trap for CO2 (10 g) EuroVector	1	C10-174	✓	
X1184	Trap for H2O (10 g) EuroVector	1	C10-173	✓	

C1153 C1126 C1074 C1199 C1155



C1124 C1128 C1125



C1148

C1129

C1154

X1078 X1267V X1077V X1250V X1074V



X1185 X1184

Products for EuroVector EA3100 & EA3000

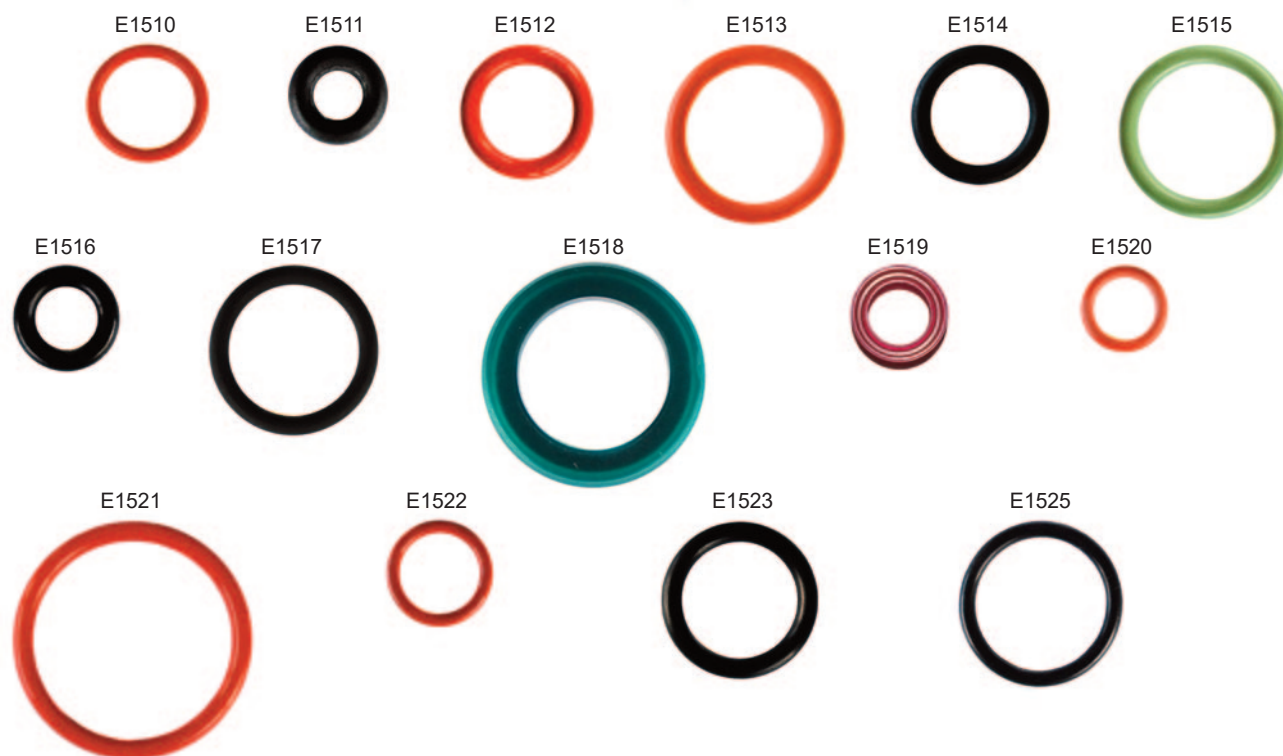
O-rings, seals & caps for EuroVector EA3100, EA3000

Part No	Description	Pack	EV part
E1510	O-ring 12.42 x 1.78 mm OR2050 silicon	1	W08-031
E1511	O-ring 6 mm OR3021 FPM	1	W08-040
E1512	O-ring 12.5 x 2.65 ISO3601G	1	W08-041
E1513	O-ring 17.86 x 2.62 Sil	1	W08-042
E1514	O-ring 13.2 x 2.65 ISO3601G	1	W08-043
E1515	O-ring 18 x 2.65 ISO3601G FKM80	1	W08-044
E1516	O-ring 8 x 2.65 ISO3601G NBR	1	W08-045
E1517	O-ring 17.13 x 2.62 ISO3601G	1	W08-111
E1518	Parker seal 20 mm	1	A02-009
E1519	Parker seal 8 mm	1	A04-054
E1520	O-ring 8.75 x 1.78 OR108 neoprene	1	W08-029
E1521	O-ring 26.5 X 2.65 OR 3106 NBR	1	W08-035
E1522	O-ring 10.6 x 1.8 ISO3601	1	W08-036
E1523	O-ring 15.08 x 2.62 neoprene	1	W08-052
E1525	O-ring 17 x 1.8 2056 NBR	1	W08-102
E2517	GL14 screw cap	1	C10-101

Visit our website to view the full range of products for the EA3100 and EA3000



GL14 screw cap, E2517



Consumables kits, EuroVector EA3100

Part No	Description	EV part
X3258	CHNS consumables kit for 1000 analyses	C11-062
X3262	Oxygen consumables kit for 1000 analyses	C11-065
X3265	CHN consumables kit for 1000 analyses	C11-063
B2131	Standards kit CHNS/CHNS-O (cystine, sulphanilamide, BBOT, sulphanilic acid, 4 x 0.5g)	C10-166
B2134	Standards kit CHN/CHN-O (acetanilide, EDTA, urea, aspartic acid, 4 x 0.5g)	C10-176
B2061	Standards kit CHN/CHN-O (acetanilide, EDTA, benzoic acid, aspartic acid, 4 x 0.5g)	C10-184

Consumables kits, EuroVector EA3000

Part No	Description	EV part
⚠ X3258	CHNS consumables kit for 1000 analyses	C11-062
⚠ X3265	CHN consumables kit for 1000 analyses	C11-063
⚠ X3269	Consumables kit for 1000 (CHN) dual analyses in EA3000	C11-037
X3262	Oxygen consumables kit for 1000 analyses	C11-065

⚠ These products are classified as hazardous for shipping